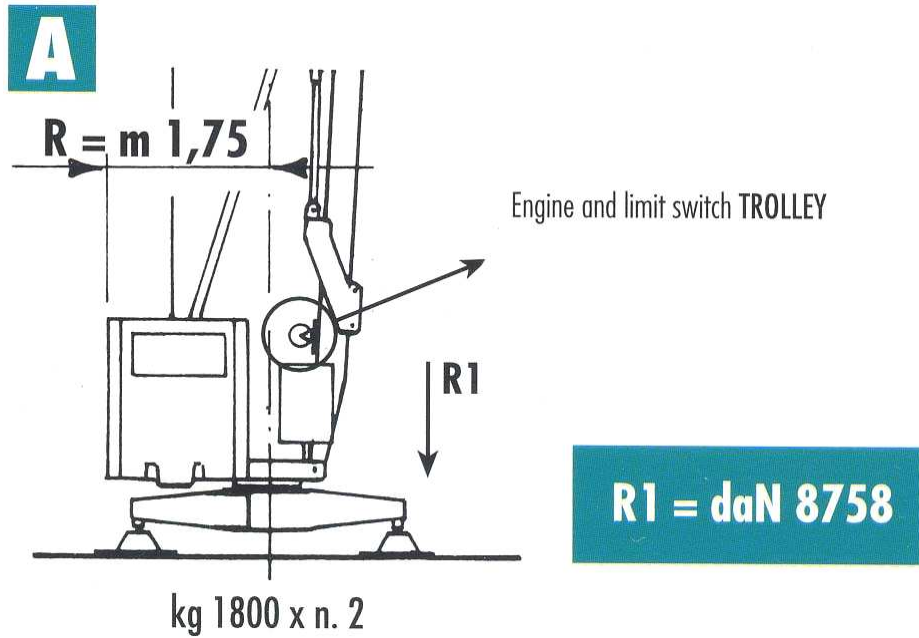
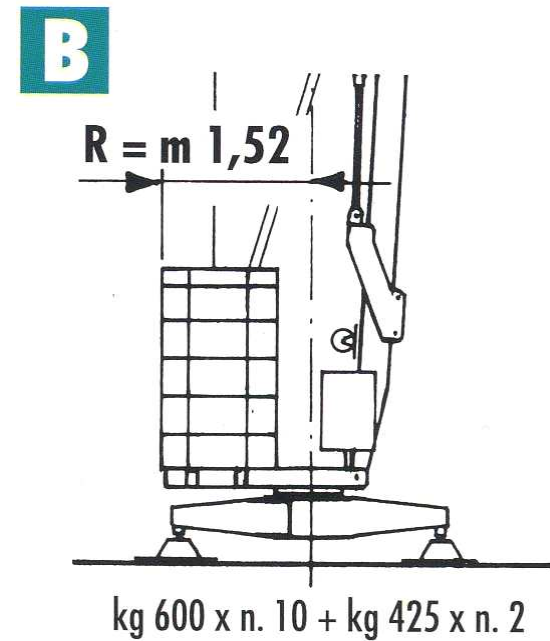


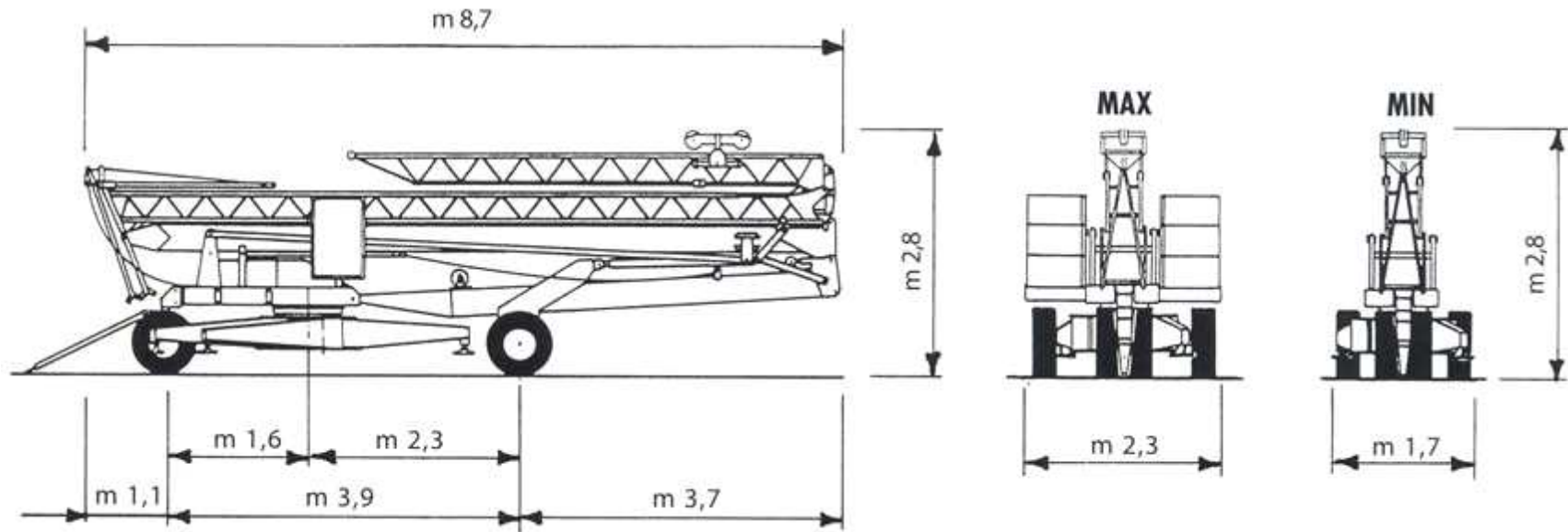
Load Diagrams							
kg	1200	1100	1000	900	800	700	600
m	8,5	9,2	9,9	10,9	12,1	13,1	15,0
m	8,5	9,2	9,9	10,9	12,1	-	-



Weight of crane: kg 4.200



Counterweight: kg 6.850 ÷ 7.800



MITTI GRU - Worldwide Cranes Service

Via Bellini, 10 - 20020 Vanzaghella - Milan - Italy
Tel/Fax: +39 0331 306388 - Mobile: +39 338 2599955
Email: info@teknocranes.com - Website: www.teknocranes.com